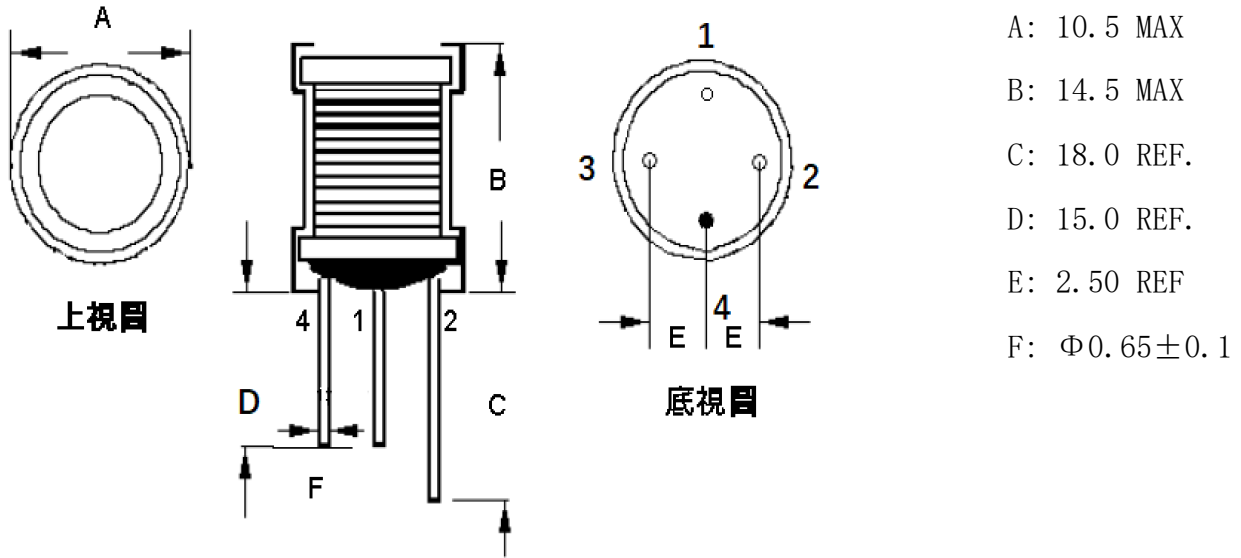


SPECIFICATION FOR APPROVAL

DATE:2021/8/17

CUSTOMER: XX	PART NO:	CUSTOMER REV:
DESCRIPTION: 三脚工字电感	JF PART NO: LGB0810-3V-1.9mH-50mH	JF REV:01

1. CONFIGURATION DIMENSIONS (UNIT:mm)



备注: 4脚空置不接脚, 1, 3接短脚, 2接长脚, 绕线顺序如下图, 逆时针方向绕线, CORE底部需点胶固定。外套UL套管。

2. ELECTRICAL CHARACTER:

(1). INDUCTANCE : AT: 1KHZ 0.25V (TH2816B)

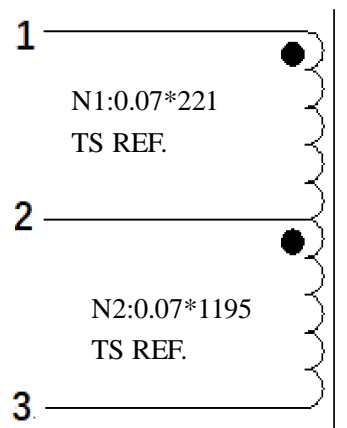
L (1-2) : 1.9mH ± 10%

L (2-3) : 50mH ± 10%

(2). DC RESISTANCE : AT: 25 °C

DCR (1-2) : 15 Ω MAX

DCR (2-4) : 120 Ω MAX



APPROVED BY: XX

HECKED BY:

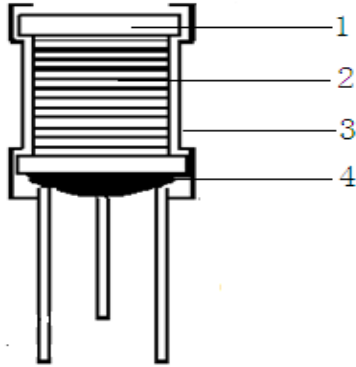
XX

DRAWN BY: XX

SPECIFICATION FOR APPROVAL

DATE:2021/8/17

CUSTOMER: XX	PART NO:	CUSTOMER REV:
DESCRIPTION: 三脚工字电感	JF PART NO: LGB0810-3V-1.9mH-50mH	JF REV:01



1. CORE: DR3W8*10 B:3.5 F:6

2. WIRE: N1 (1-2) Φ 0.07mm*221TS REFN2 (2-3) Φ 0.07mm*1195TS REF

3. EPOXY:6020H

4. TUBE: Φ 8mm

NO	ITEM	MATERIAL	SUPPLIER OF THE MATERIAL
1	CORE	DR3W8*10	RUIYUAN ELECTRONICS CO., LTD OR EQUIVALENT
2	WIRE	2UEW 2UEW	PACIFIC ELECTRIC WIRE & CABLE CO., LTD 【E201757】 JUNG SHING WIRE CO., LTD 【E174837】
3	EPOXY	6020H	WELLS ELEC TRONIL MATERIAL (GUANGZHOU) CO., LTD 【E229633】 OR EQUIVALENT
4	TUBE	UL TUBE	WOER HEAT-SHRINKABLE MATERIALCO., LTD 【E203950】
5			
6			
7			

APPROVED BY:

HECKED BY:

DRAWN BY: Jackywang

中山市玖丰电子有限公司

特性测试报告

CUSTOMER: XX		CUSTOMER P/N:		CUSTOMER REV:		TEST DATE: 2021/8/17	
PART NAME: CHOKE COIL		JF PART NO: LGB0810-3V-1.9mH-50mH		JF REV: 01		QUANTITY: 5PCS	
TEST ITEM	L(1-2)	L(2-3)	DCR(1-2)	DCR(2-3)			
TEST CONDITION	1KHZ 0.3V		25°C				
SPEC.	1.9mH±10%	50mH±10%	15Ω MAX	120Ω MAX			
01	1.91	50.20	12.66	95.60			
02	1.89	49.90	12.75	96.10			
03	1.90	50.20	12.74	96.20			
04	1.91	49.70	12.71	96.10			
05	1.91	49.90	12.69	95.90			
06							
07							
08							
09							
10							
11							
12							
13							
14							
15							
\bar{X}	1.90		12.71				
σ	0.008		0.033				
Cpk	37.67		226.09				
1. TEST INSTRUMENTS: <input type="checkbox"/> HP-4284A METER <input type="checkbox"/> HP-4285A METER <input type="checkbox"/> HP-4191A METER <input type="checkbox"/> CH-3200 METER <input type="checkbox"/> CH-310 METER <input type="checkbox"/> CH-3305 METER <input checked="" type="checkbox"/> VR113+VR712 METER <input checked="" type="checkbox"/> WK3260B+3265B METER <input type="checkbox"/> VR562 METER <input checked="" type="checkbox"/> CH-502B DCR METER 2. CONDITION TEMPERATURE: 25°C HUMIDITY: %RH							
				APPROVED BY	CHECKED BY	PREPARED BY	
				XX	XX	XX	

TEST DATA NO: BWIEG0002-09A

中山市玖丰电子有限公司
尺寸测量分布报告

CUSTOMER:XX		CUSTOMER P/N:					CUSTOMER REV:			TEST DATE:2021/8/17	
PART NAME:CHOKE COIL		JF PART NO: LGB0810-3V- 1.9mH-50mH					JF REV: 01			QUANTITY:5PCS	
TEST ITEM	A	B	C	D	E	F	G	H	I	J	K
SPEC.	10.50	14.50	18.00	15.00	2.50	0.65					
	MAX	MAX	REF.	REF.	REF.	±0.1					
01	8.70	11.70	17.90	15.20	2.48	0.64					
02	8.80	11.50	18.10	15.20	2.49	0.65					
03	8.70	11.60	17.50	15.30	2.47	0.65					
04	8.50	11.40	17.40	15.10	2.48	0.64					
05	8.60	11.50	17.60	15.20	2.46	0.65					
06											
07											
08											
09											
10											
11											
12											
13											
14											
15											
\bar{X}	8.66	11.54	17.70	15.20	2.48	0.65	#DIV/0!				
σ	0.102	0.102	0.261	0.063	0.010	0.005	#DIV/0!				
Cpk	23.99	8.04	14.96	37.95	164.21	466.36	#DIV/0!				
APPROVED BY				CHECKED BY				PREPARED BY			
WangWen				ChenSong				HuangYao			

TEST DATA NO:BWIEG0002-10A